



## Float Switch EHZ FS-E (Filling)

The float switch EHZ FS-E is a mechanically activated float switch designed for level control in shafts, tanks, basins or similar. It is resistant to water and waste water, oils and fats, many acids and bases.

## Easy Operation

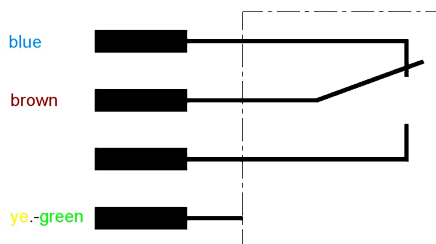
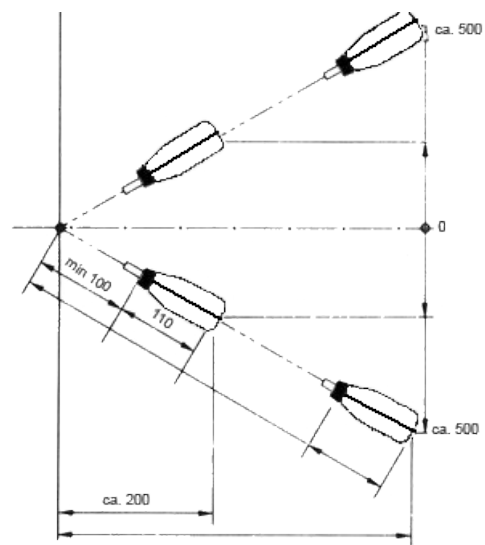
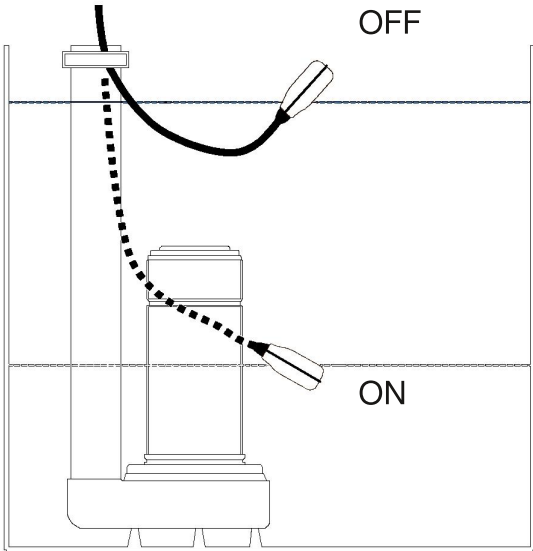
The desired activation level is simply adjusted by increasing or decreasing the free cable length between float switch and fixed point.

## Technical Data

• Float Colour:	white	• Switching angle:	+/- 45°
• Cable:	H07RN8-F 3G1 black	• Dimensions:	156x88x42mm
• Max. electrical load:	10(8)A 250V AC	• Volume:	300cm <sup>3</sup>
• Motor Rating:	1 HP / 125V AC	• Weight:	160g
	2 HP / 250V AC	• Buoyancy (in water):	140g
• Cycles:	min. 50'000	• Housing:	PP
• Operating temperature:	max. 40°C in water	• Protection class:	IP68
• Storage temperature:	max. 95°C	• Certifications:	DIN EN 60730-1:2021-06; EN 60730-1:2016+A1:2019 DIN EN IEC 60730-2-15: 2020-02



## Schematics and Wiring



## Notes

EHZ float switches are designed and manufactured according to general rules of technology and considered as safe to operate. They must, however, be installed by trained personnel. In case of damage to the connecting cable, the complete device has to be replaced.



**EHZ GMBH**

Grafinger Straße 27  
85665 Moosach  
WEEE-Reg.-Nr. DE 69857843

Phone: +49 (0) 8091 5636750  
Fax: +49 (0) 8091 5636751

ehz@ehz.de  
www.ehz.de